

NORD SLAT

Nord Slat Panel Technical Sheet

hello@nordslat.com

www.nordslat.com



Dimensions & Specifications



Dimensions

Full Panels

(L) 2400mm x (W) 600mm x (D) 19mm

Slats

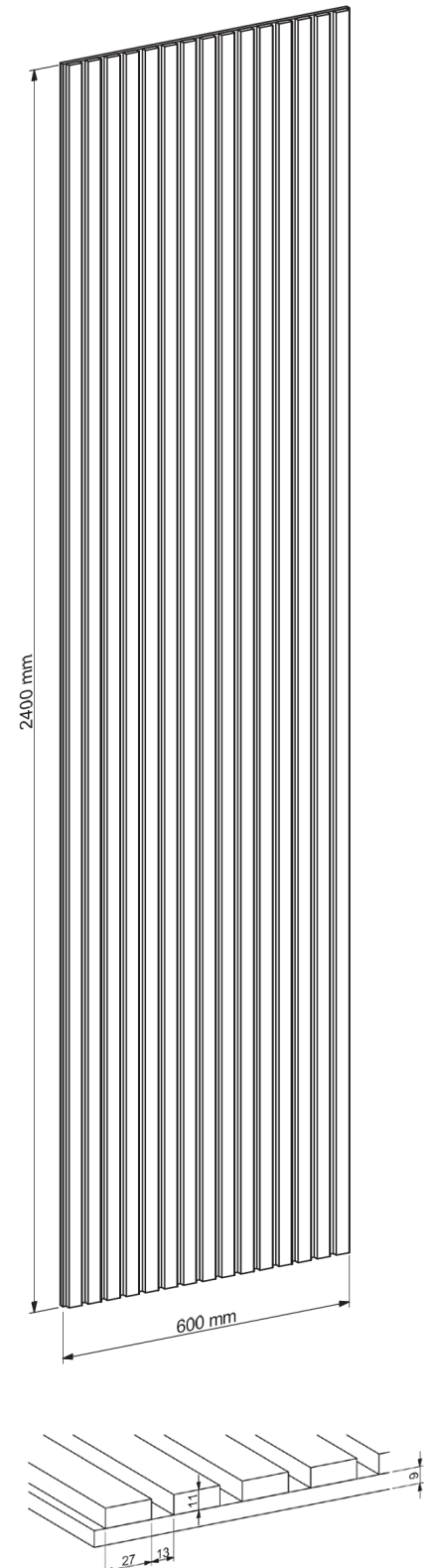
(L) 2400mm x (W) 27mm x (D) 10mm (13mm gap between slats)

Acoustic PET backing

(L) 2400mm x (W) 600mm x (D) 9mm

Maintenance & Care

Caring for your wood slat wall panels is easy and can be achieved through regular maintenance. To prevent the buildup of dust on your panels, a simple approach such as regular light dusting or gentle vacuuming is recommended.



Installation Instructions



Installation Essentials

Installing Nord Slat panels is simple. Here's what's required:

- Drill
- 12-16 screws (1.5 inches, black is recommended)
- Level
- Pencil

Measuring

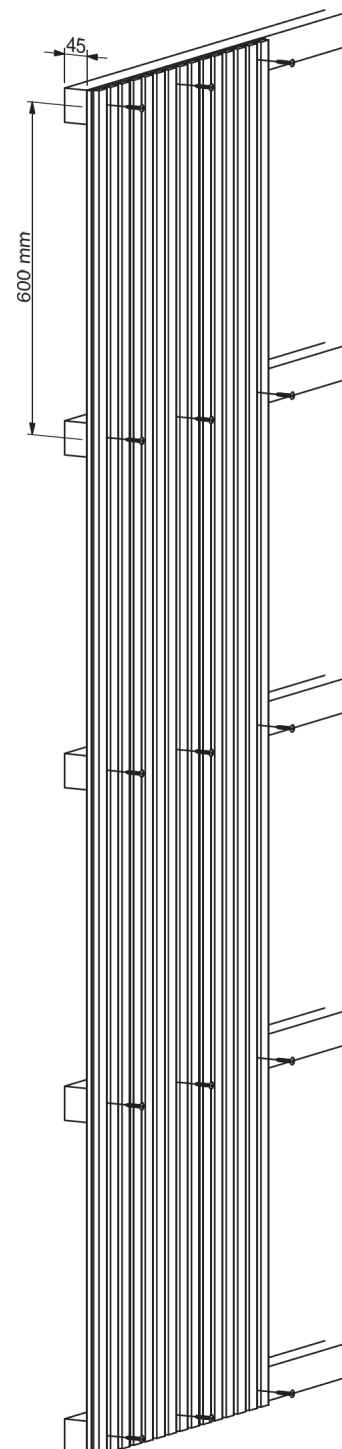
Start by measuring your space and determining your preferred panel installation location. You can opt for a centered look or a more grounded appearance by aligning with the floor. Experiment with different placement options to find the best fit.

Note: When mounting on drywall, it's important to use appropriate anchors before drilling.

Screw Installation

After inserting anchors, return the panel to its place and secure with 15 screws. Place the screws evenly along the edges and near the center of the panel, as demonstrated (see fig. 1).

Fig. 1



Custom Installation



Measuring and Cutting to Size

In this section of the installation guide, we'll help you get creative with your wall panel design. Whether you're shortening panels or connecting multiple pieces to fit your wall, we've got you covered.

For instance, let's say you're installing 94.5" panels on a taller wall and want full height coverage. In that case, it's a good idea to purchase additional panels to compensate for the extra length.

Start the installation at the top of your wall or the ceiling, or along the floor. In this scenario, we'll add extra length at the bottom (refer to fig. 3)

Measuring and Marking

After the first panels are installed, take precise measurements from the bottom of the panels to the desired end point, whether that's the floor or baseboard. To ensure accurate cuts, make a mark along both the slats and felt backing of the new panel at this measured distance, using a pencil (see fig. 4).

Cutting

For the next step, turn the panel over so that the slats are facing downwards and use a sharp utility knife to precisely cut the black felt along the marked length (see fig. 5).

Continued on the following page...

Fig. 3

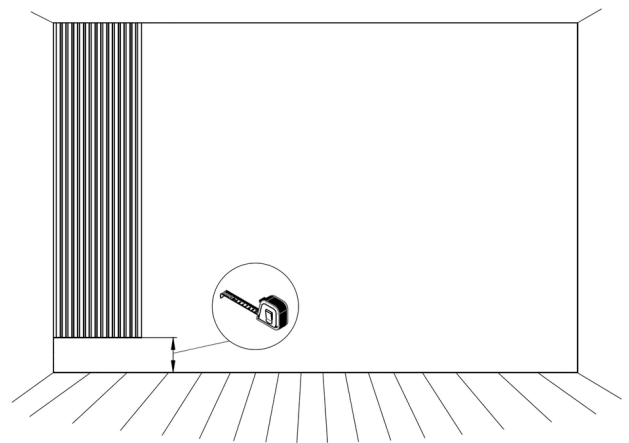


Fig. 4

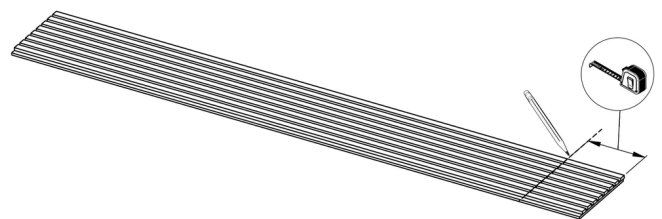
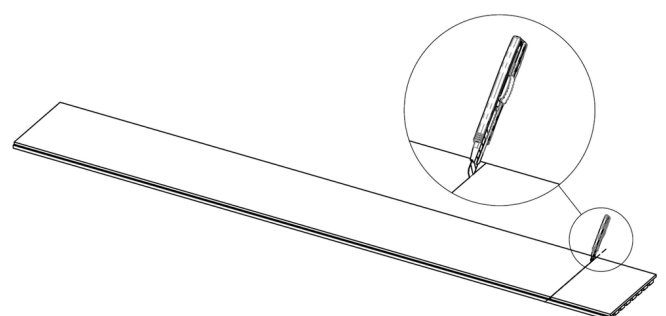


Fig. 5



Custom Installation (Cont.)



Once the black felt backing has been trimmed, return the panel to its original position with the slats facing upward. Use a handsaw or circular saw to precisely cut the slats at the marked length (see fig. 6).

After cutting the slats, it is important to verify the stability of the extension piece. If there is a noticeable gap between the last row of nails holding the slats and the edge of the slats, it is recommended to secure the piece by inserting screws (~10mm) through the felt and into the back of each slat. An alternative is to apply a small amount of adhesive, such as superglue, under each slat. **Although not common, this step may be necessary in some instances to ensure proper stability (see fig. 7).**

After the preparation of your extension panel is complete, the next step is to mount it in the same manner as you did for the full-sized panels. Repeat the process until your wall panel installation project is fully completed.

Fig. 6

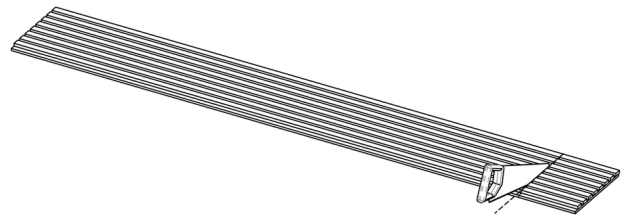
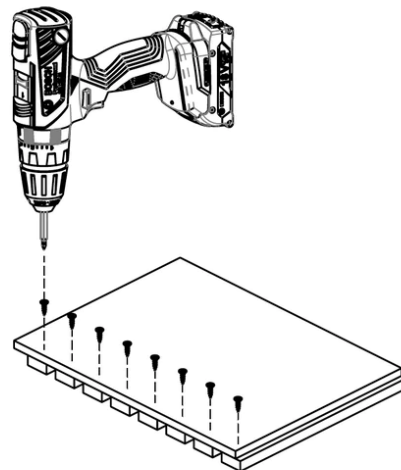


Fig. 7





NORDSLAT

www.nordslat.com